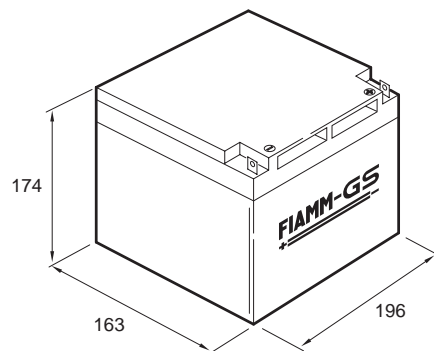


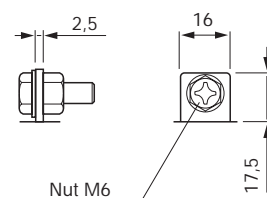
## Performance Specification for battery type FG 24204

## Battery dimensions (mm)

Nominal Voltage	12 Volts
Nominal Capacity	
at 20 hour rate (2,1 A to 10,5 Volts)	42,0 Ah
at 10 hour rate (3,79 A to 10,5 Volts)	37,9 Ah
at 5 hour rate (6,87 A to 10,2 Volts)	34,4 Ah
at 1 hour rate (24,4 A to 9,0 Volts)	24,4 Ah
Dimension (mm)	Length=196, Width=163, Height=174
Approximate weight	14,6 kg
Energy Density	90,7 Wh/l.
Specific Energy	34,5 Wh/kg
Internal Resistance (Fully charged battery)	5 mΩ
Maximum discharge current in 1 minute discharge	252 A
Maximum short-duration discharge current	630 A
Recommended charging tension (temperature=20°C)	
floating use: 13,5-13,8 V	cyclic use: 14,4-15,0 V
Thermal compensation factor	
floating use: -18mV/°C	cyclic use: -30mV/°C
Maximum charging current	10,5 A
Terminals	Bolt and Nut M6
Vibration Test (2000 cycles/minute, 2,55 mm excursion, 2 hours)	No loss in capacity or performance
Shelf life - % of nominal capacity at 20°C	
1 month	97%
3 months	91%
6 months	83%
Storage temperature	-20°C to 40°C
Operative temperature Range	
Charge	0°C to 40°C
Discharge	-20°C to 50°C
Case material	Acrylonitrile-Butadiene-Styrene
	Standard Case: According to UL-94 HB
	Also Available: According to UL-94 V0
Life expectancy (Stand-by)	3 to 5 years according to Eurobat standards



## Terminal type



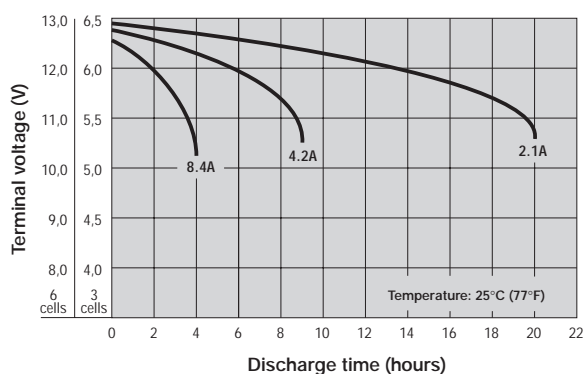
## Constant Power Discharge Table (Watt)

Time	5'	10'	15'	20'	30'	45'	1h	2h	3h	5h	10h	20h
1,8V/Cell	1296,0	944,9	760,1	642,5	498,2	379,0	308,9	182,8	132,1	86,3	47,5	25,7
1,75V/Cell	1386,0	981,7	780,4	655,6	505,1	382,7	311,4	184,1	133,1	87,1	47,8	25,7
1,7V/Cell	1482,2	1019,8	801,3	669,0	512,1	386,5	314,0	185,4	134,1	87,8	48,2	25,8
1,65V/Cell	1550,0	1039,7	809,3	672,5	512,7	386,3	313,8	185,7	134,6	88,3	48,5	25,9
1,6V/Cell	1620,8	1060,0	817,4	676,1	513,3	386,1	313,6	186,0	135,1	88,9	48,9	26,0

## Constant Current Discharge Table (Ampere)

Time	5'	10'	15'	20'	30'	45'	1h	2h	3h	5h	10h	20h
1,8V/Cell	119	86	68	57	44	33	27	15,7	11,2	7,3	3,96	2,14
1,75V/Cell	129	91	71	59	45	34	27	15,8	11,3	7,3	3,99	2,15
1,7V/Cell	140	96	75	62	47	35	28	16,0	11,4	7,4	4,02	2,15
1,65V/Cell	148	98	75	62	47	35	28	16,1	11,5	7,4	4,05	2,16
1,6V/Cell	156	100	76	63	47	35	28	16,1	11,6	7,5	4,09	2,16

## Discharge time vs. discharge current



## Discharge time vs. discharge current

